

**HINATA**  
**TL63812**  
TABLE LAMPS

PROJECT



TL63812-NV Navy Blue    TL63812-BK Black    TL63812-MN Moonstone Gray    TL63812-GN Sage Green    TL63812-SY Sky Blue

**SPECIFICATION DETAILS**

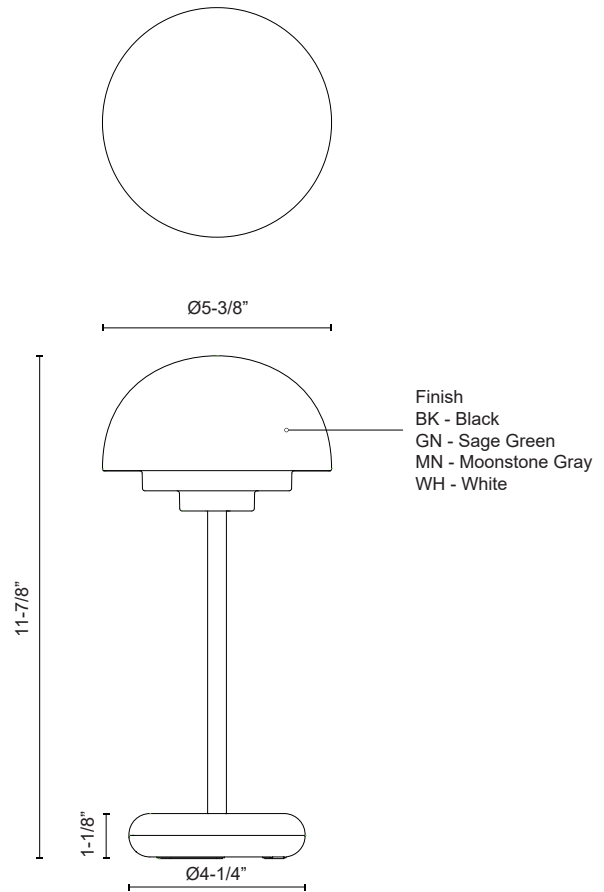
<b>Fixture Dimensions</b>	D5-3/8" x H11-7/8"
<b>Light Source</b>	LED
<b>Wattage</b>	2W
<b>Total Lumens</b>	150lm
<b>Delivered Lumens</b>	BK-110lm*; GN-110lm*; MN-110lm*; NV-110lm*; SY-120lm*;
<b>Voltage</b>	LI-Battery
<b>Color Temperature</b>	2700K
<b>CRI (Ra)</b>	90CRI
<b>Optional Color Temps</b>	2700K - 5000K Available, Minimum Order Quantities Apply
<b>Dimming</b>	Touch dimmer
<b>Diffuser Details</b>	Frosted Acrylic Lens
<b>Shade Details</b>	Polymeric Shade
<b>Location</b>	Dry
<b>Illumination Direction</b>	Down
<b>Base Dimensions</b>	D4-1/4" x H1-1/8"
<b>Material</b>	Steel + Acrylic
<b>Paint Finish</b>	BK01; GN; MN; NV; SY;

\* For custom options, consult factory for details.  
\* For warranty information, please visit [www.kuzcolighting.com/warranty](http://www.kuzcolighting.com/warranty)

**DESCRIPTION**

Step into the light with Hinata: a timeless classic with a modern twist. With its sleek mid-century silhouette and a pop of fun colors to choose from, it effortlessly adds personality to any space. Experience convenience and style with Hinata's rechargeable design.

- Rechargeable table lamp (charger included)
- Integrated LED, no need for bulbs
- Hold-to-dim feature
- 5 Hours of illumination on 100% brightness
- Finish options: Sage Green, Cream, Sky Blue, Navy Blue, and Black



**KUZCO**

CANADA: 19054 28TH AVENUE - SURREY, BC V3Z 6M3  
USA: 3035 E. LONE MOUNTAIN ROAD - LAS VEGAS, NV 89081

**COMMENT**